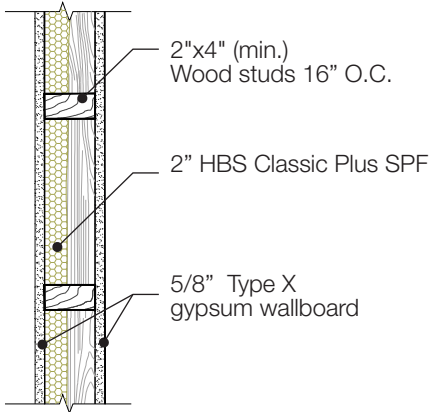


ACOUSTIC & FIRE RESISTANCE SOLUTIONS

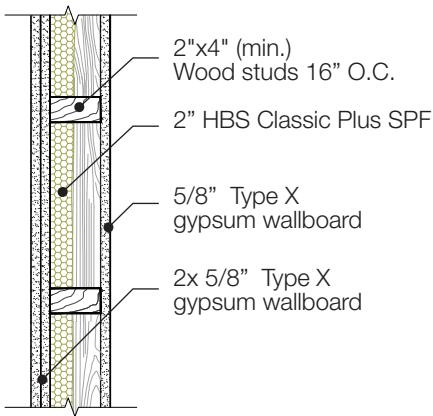
WOOD STUD WALL ASSEMBLIES



STC
33

UL Designs
U305
V306
U397

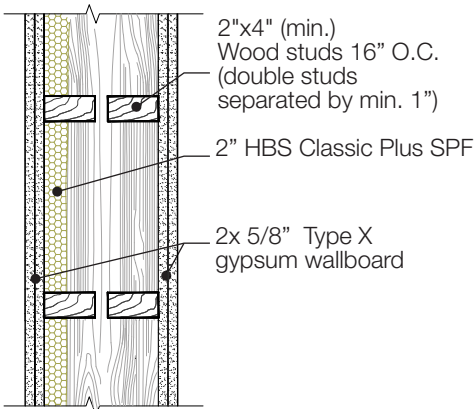
1-hour
load-bearing



STC
37

UL Designs
U301
U305
V306
U397

1-hour
load-bearing



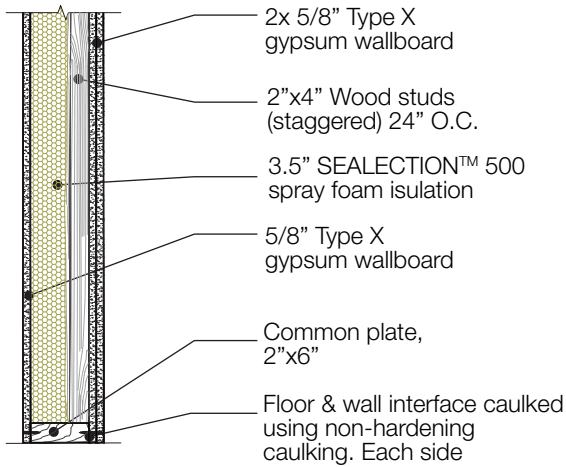
STC
52

UL Designs
U301
V306
U397

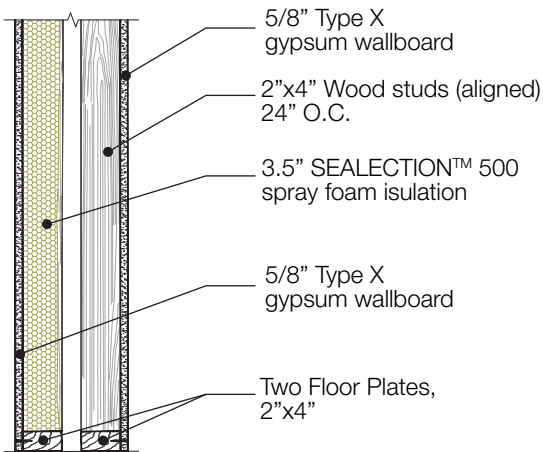
Gypsum
Manual Design
WP 5520

2-hour
load-bearing

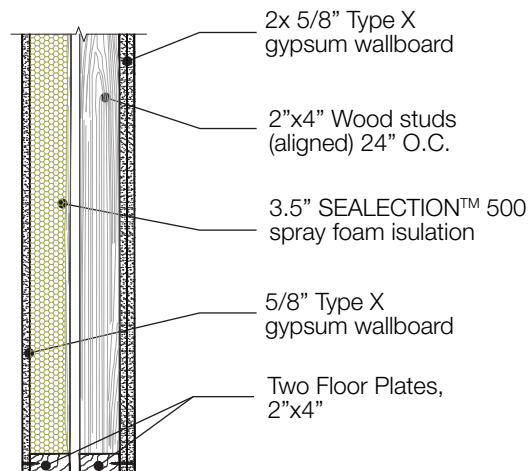
WOOD STUD WALL ASSEMBLIES



**STC
50**



**STC
49**

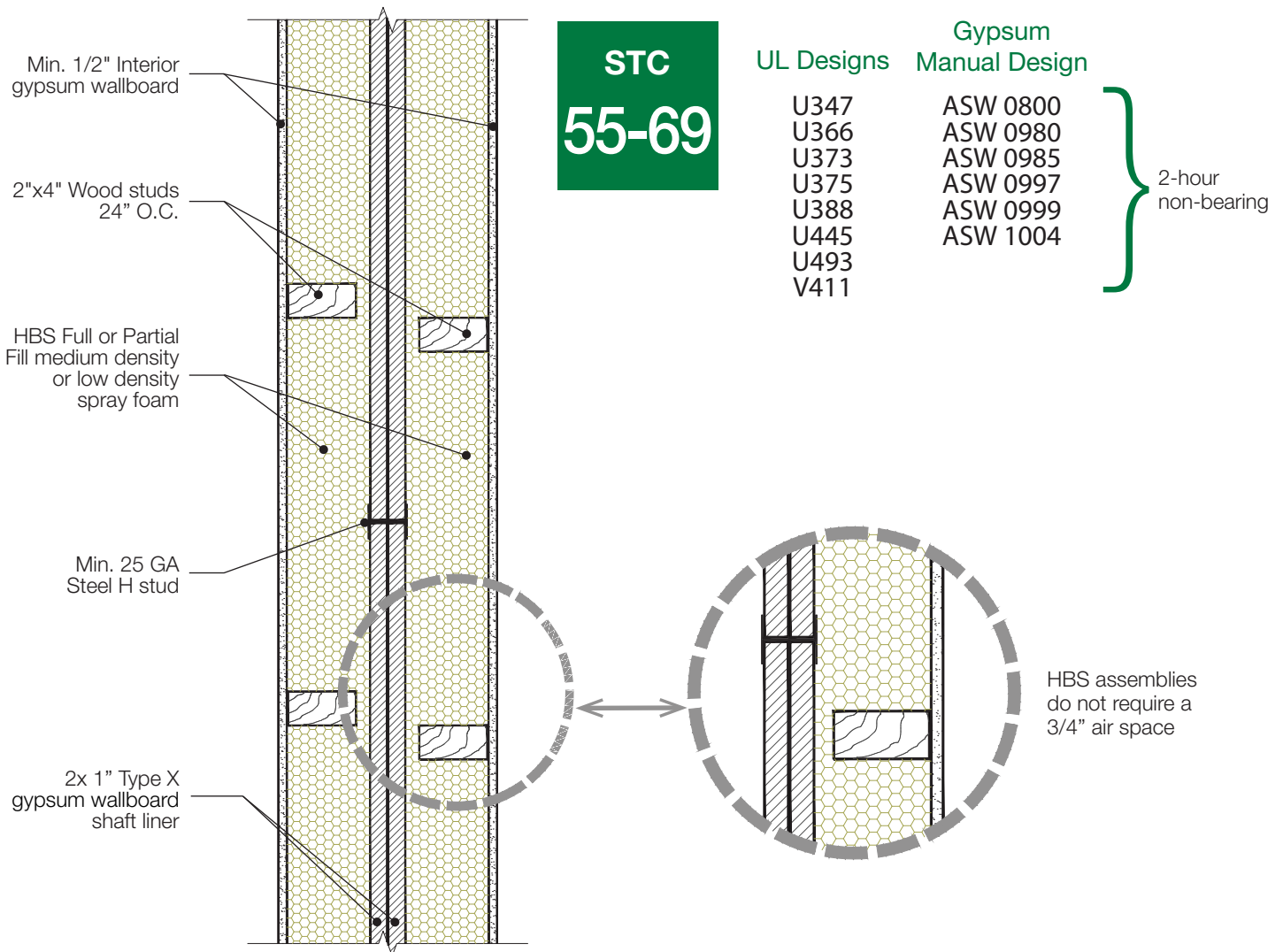


**STC
52**

Party/Area Separation Walls

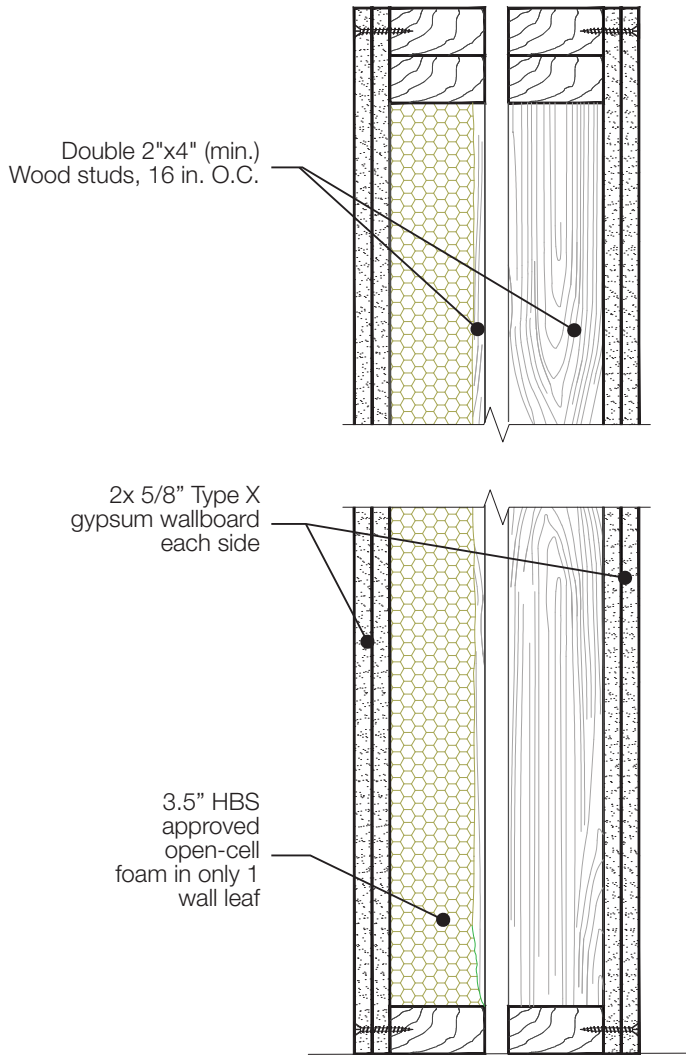
Two Hour Fire Resistance Rated Walls Featuring Huntsman Building Solutions Low or Medium Density Foams

Extensive testing completed by HBS allows for its spray foam insulation products to be utilized in party/area separation walls without the need for an airspace adjacent to the shaft liner. HBS low density foam products - Classic Ultra, Classic Ultra Select, and Classic Plus - along with HBS medium density foam products - ProSeal, ProSeal LE - may all be sprayed directly to the shaft liner gypsum wall board without an air space and achieve a two hour fire rating. The UL listings on this page may be modified with this method and maintain the two hour rating.



W-WALL

Extensive testing completed by HBS allows for its low density open-cell spray foam insulation products to be utilized in a load-bearing 2-hour fire rated party/area separation wall design. HBS low density foam products – Sealection 500, Sealection NM, Foam-Lok 500, Foam-Lok 450, OC No-Mix, Classic Ultra, and Classic Ultra Select - may all be sprayed in one wall cavity within the double stud wall design. The spray foam provides superior sound reduction capabilities as well as an air-seal between adjacent units. This wall design is 100% load-bearing and approved for fire exposure on either side of the wall.



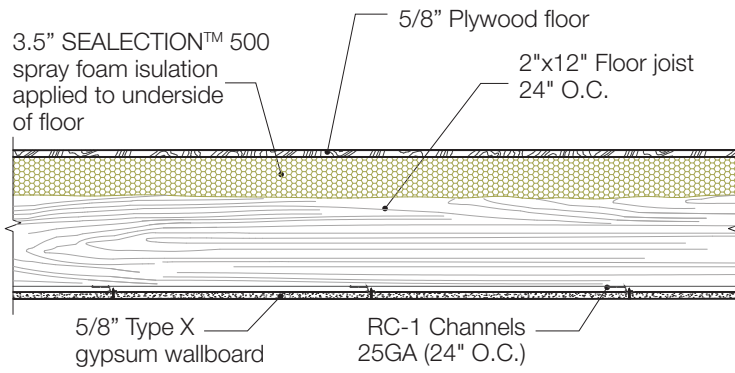
Double Wood Stud Wall System Assembly (W-Wall)

STC
57

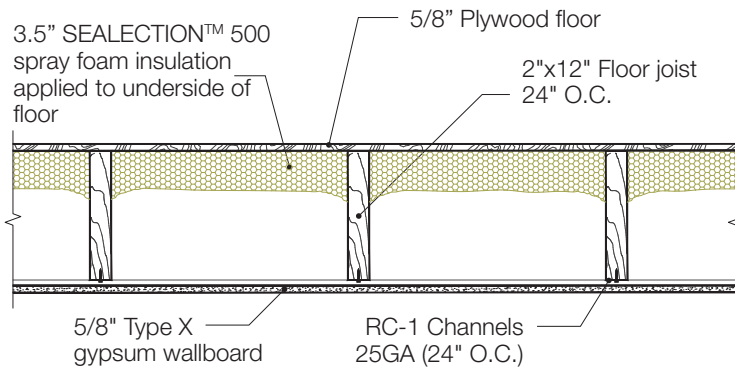
Gypsum Manual
Design
WP 3820
TER 2011-01

} 2-hour
Load-bearing

WOOD FLOOR ASSEMBLY



Lateral View

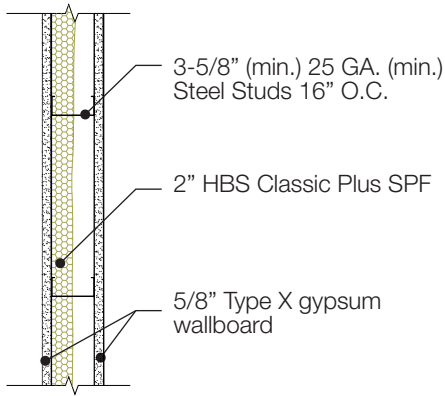


Cross Section View

Floor Spray Foam Insulation

STC
50

STEEL STUD WALL ASSEMBLIES

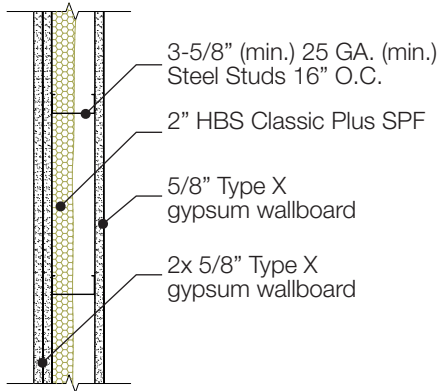


STC 35

UL Designs

- U419
- U423
- U425
- U465

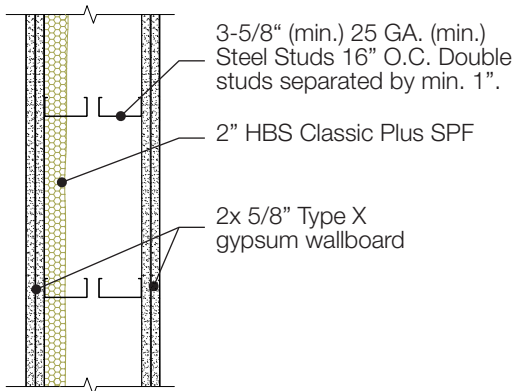
1-hour non-bearing



STC 39

Gypsum Manual Design
WP1052

1-hour load-bearing



STC 56

UL Designs

- U493
- V469
- W407
- V488

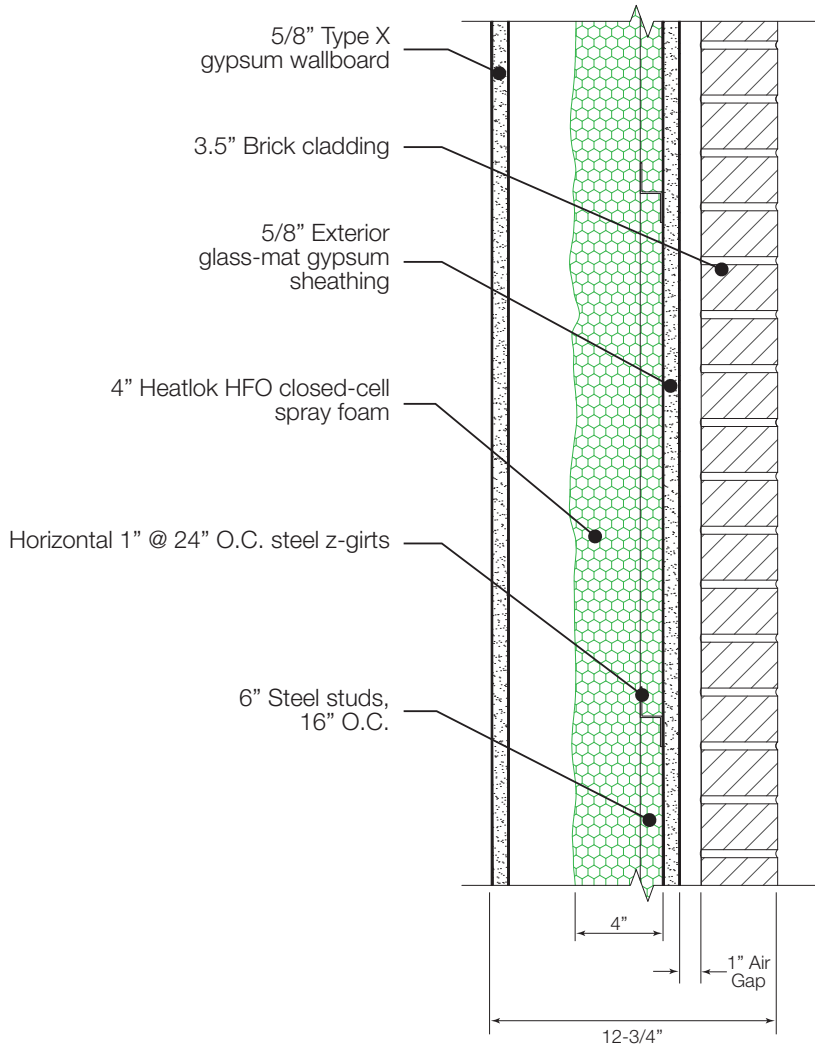
Gypsum Manual Design

- WP 5050
- WP 5051
- WP 5060
- WP 5071
- WP 5240
- WP 5241

2-hour non-bearing

D-MAX WALL ASSEMBLY - EXTERIOR WALL SYSTEM

The D-Max wall assembly is a new type of exterior assembly that allows the installation of spray foam insulation from the interior of the building while managing thermal bridging. One of the main advantages of this assembly is that Heatlok HFO spray foam acts as insulation, air barrier and vapor barrier in a single application. The three main properties of the building envelope are provided by a single product. The D-Max wall assembly has successfully passed the NFPA 285 test as well as ASTM E966 / ASTM E1332 - Apparent Indoor-Outdoor Transmission Class.



NFPA 285
Approved Assembly